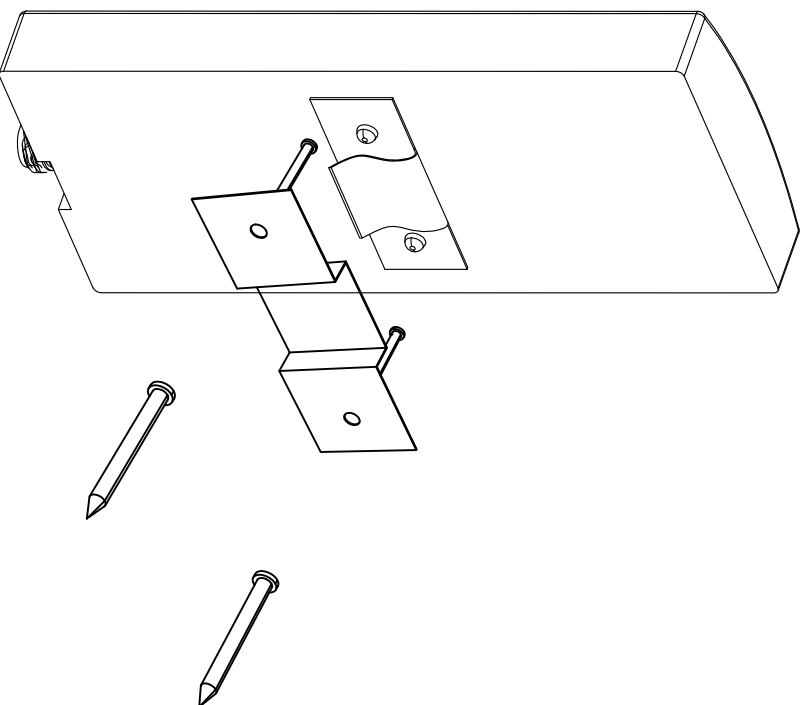


WIRELESS SOLUTION
MADE IN SWEDEN



2.4GHZ RF HI-GAIN ANTENNA



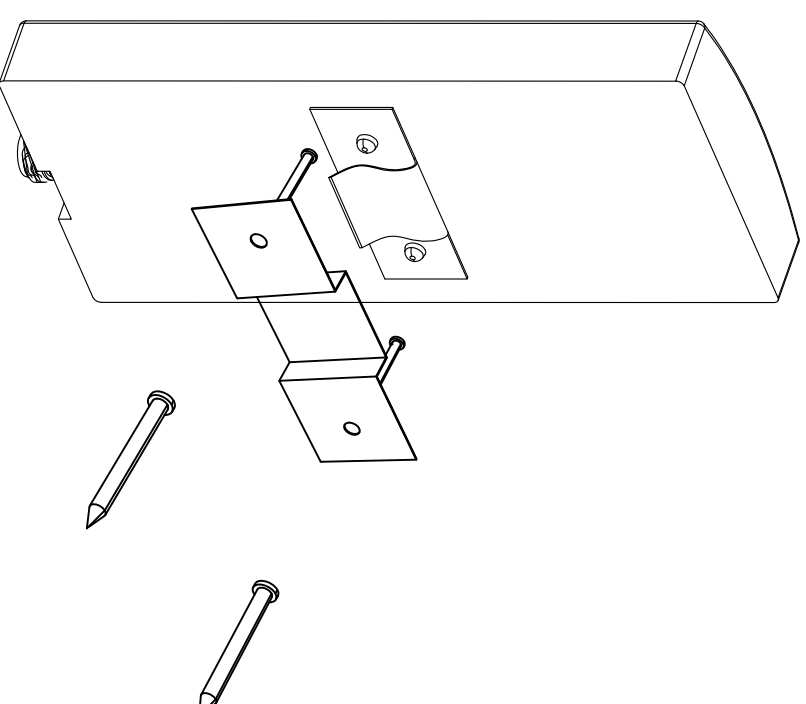
SPECIFICATION

- Frequency: 2400~2483MHZ
- Max gain: 12 dBi
- Connector: N female
- Max input power: $\leq 50w$
- Wave impedance: 50 ohm
- Dimensions: 214x94x30 mm
- Weight: 540 g
- For Image/ Date/ Voice communications and Wireless LAN system

WIRELESS SOLUTION
MADE IN SWEDEN



2.4GHZ RF HI-GAIN ANTENNA



SPECIFICATION

- Frequency: 2400~2483MHZ
- Max gain: 12 dBi
- Connector: N female
- Max input power: $\leq 50w$
- Wave impedance: 50 ohm
- Dimensions: 214x94x30 mm
- Weight: 540 g
- For Image/ Date/ Voice communications and Wireless LAN system